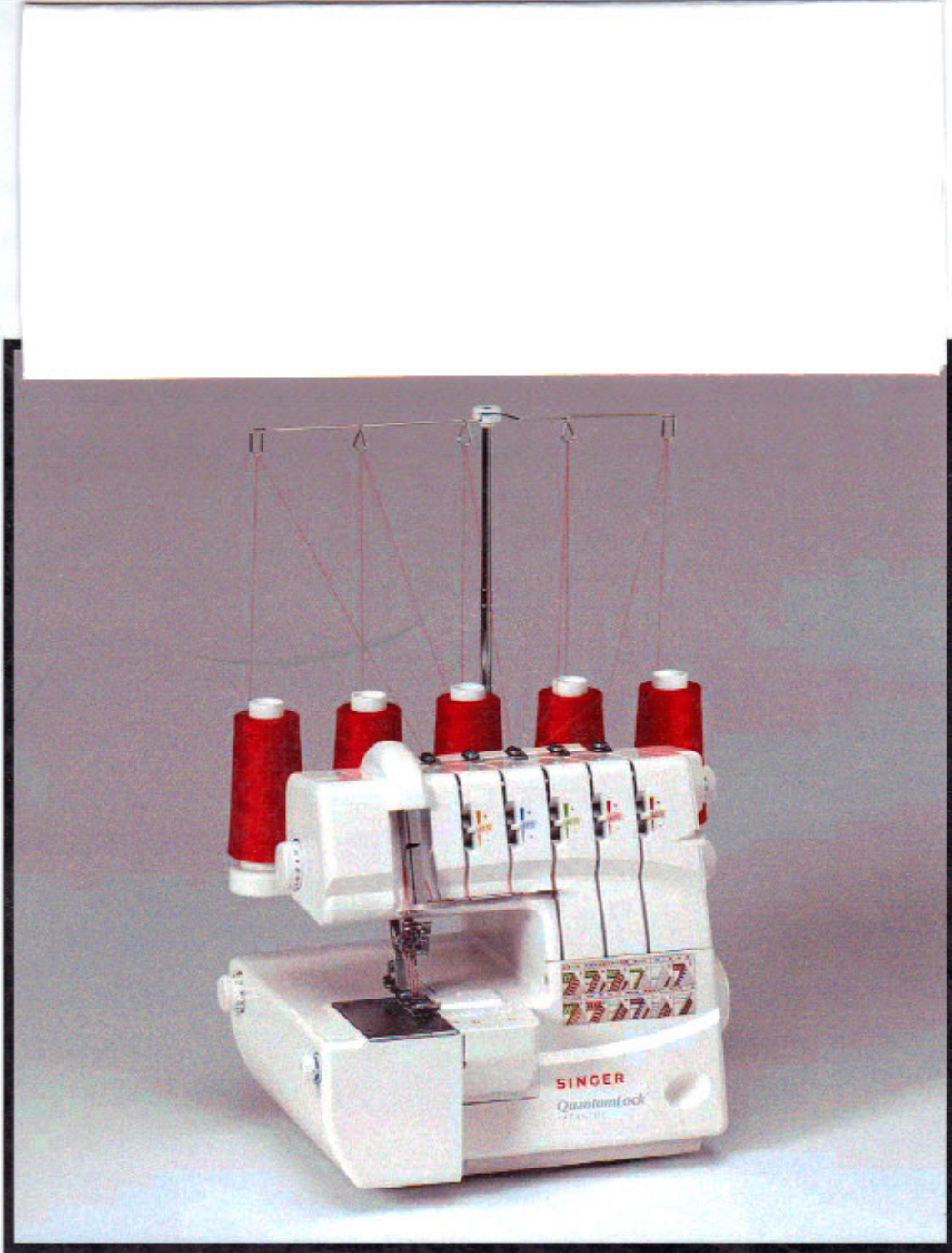


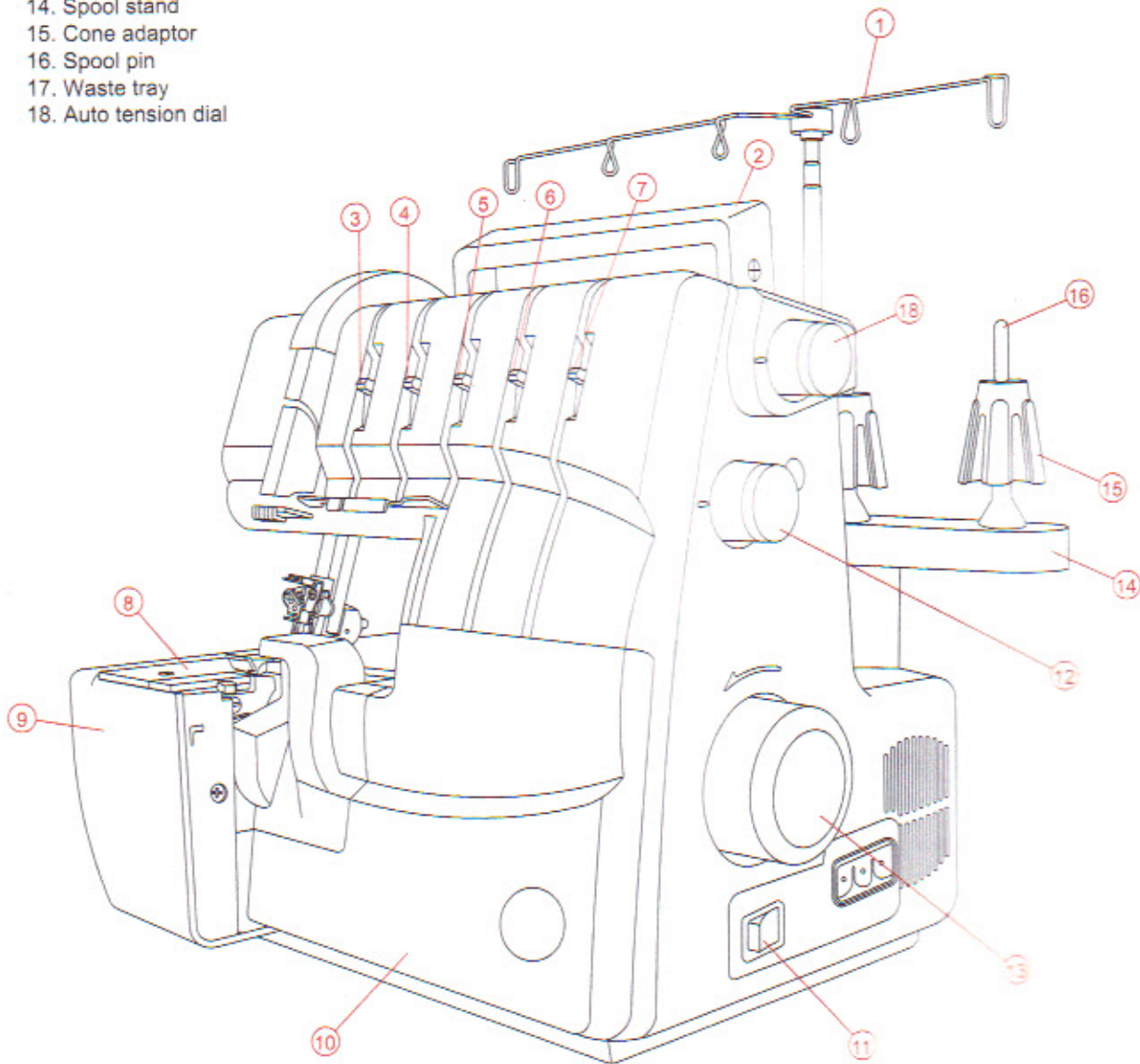
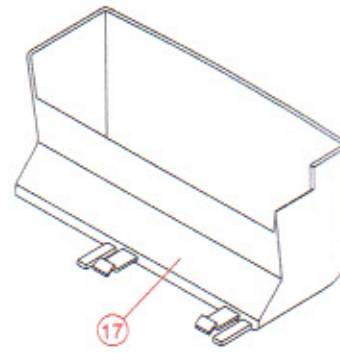
**SINGER®**



2

## 5. PRINCIPAL PARTS

1. Thread guides and holder
2. Handle
3. Left needle thread tension fine tuning lever (orange)
4. Right needle thread tension fine tuning lever (blue)
5. Upper looper thread tension fine tuning lever (green)
6. Lower looper thread tension fine tuning lever (red)
7. Chain stitch looper thread tension fine tuning lever (brown)
8. Needle plate
9. Cloth plate
10. Looper cover
11. Power & light switch
12. Stitch length dial
13. Hand wheel
14. Spool stand
15. Cone adaptor
16. Spool pin
17. Waste tray
18. Auto tension dial



## PRINCIPAL PARTS

- 19. Presser bar lifter and tension release
- 20. Differential feed adjusting dial
- 21. Cutting width dial
- 22. Presser foot pressure adjusting dial

